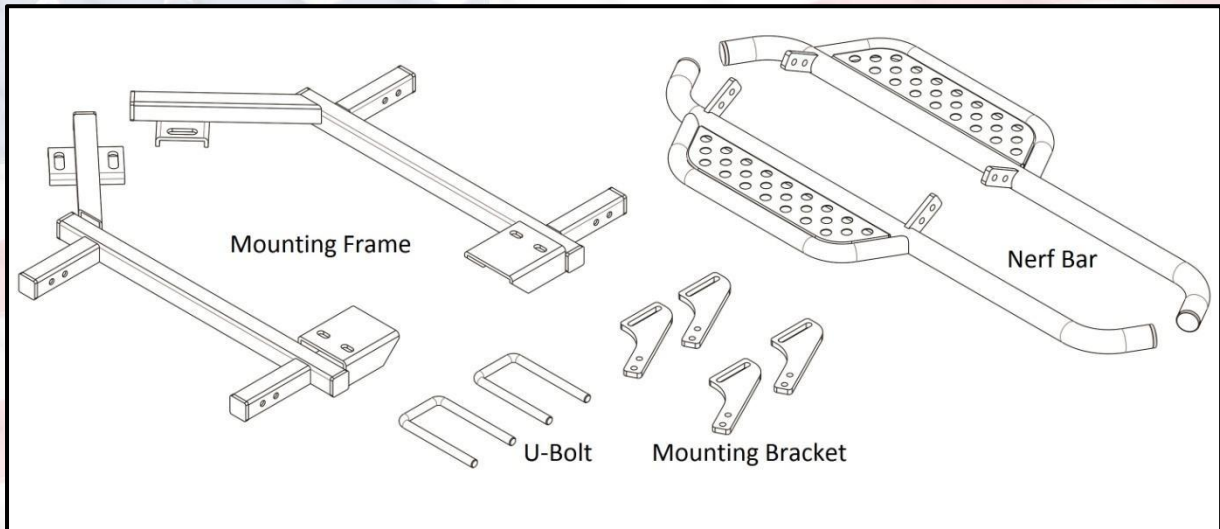


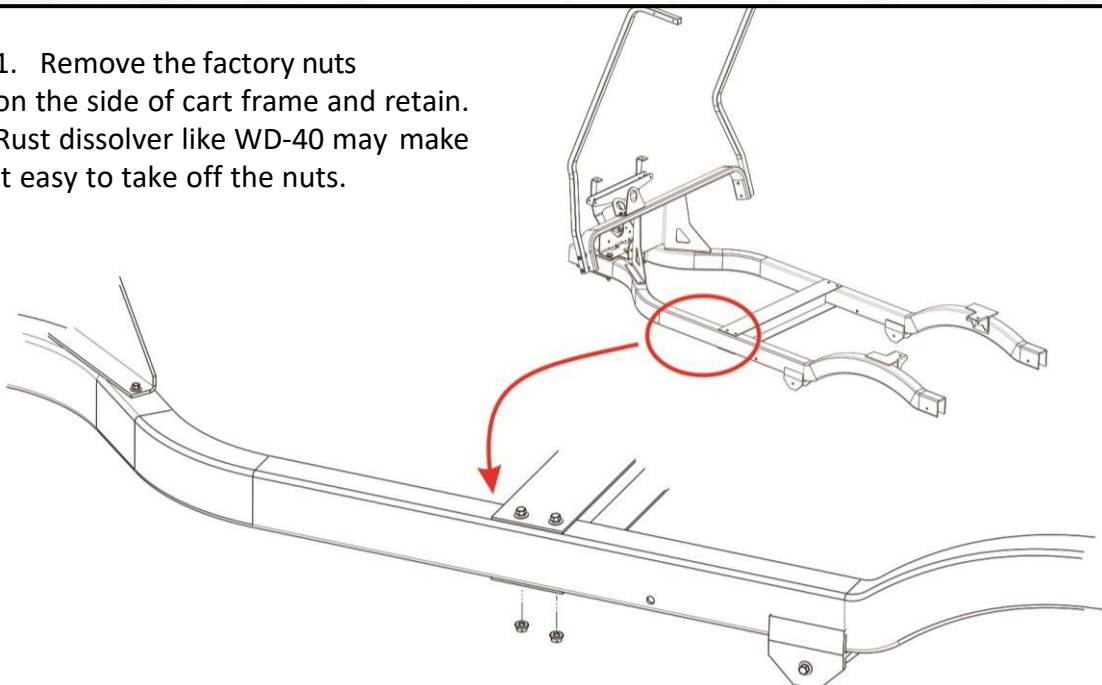
# NERF BAR INSTRUCTIONS

## Club Car Precedent



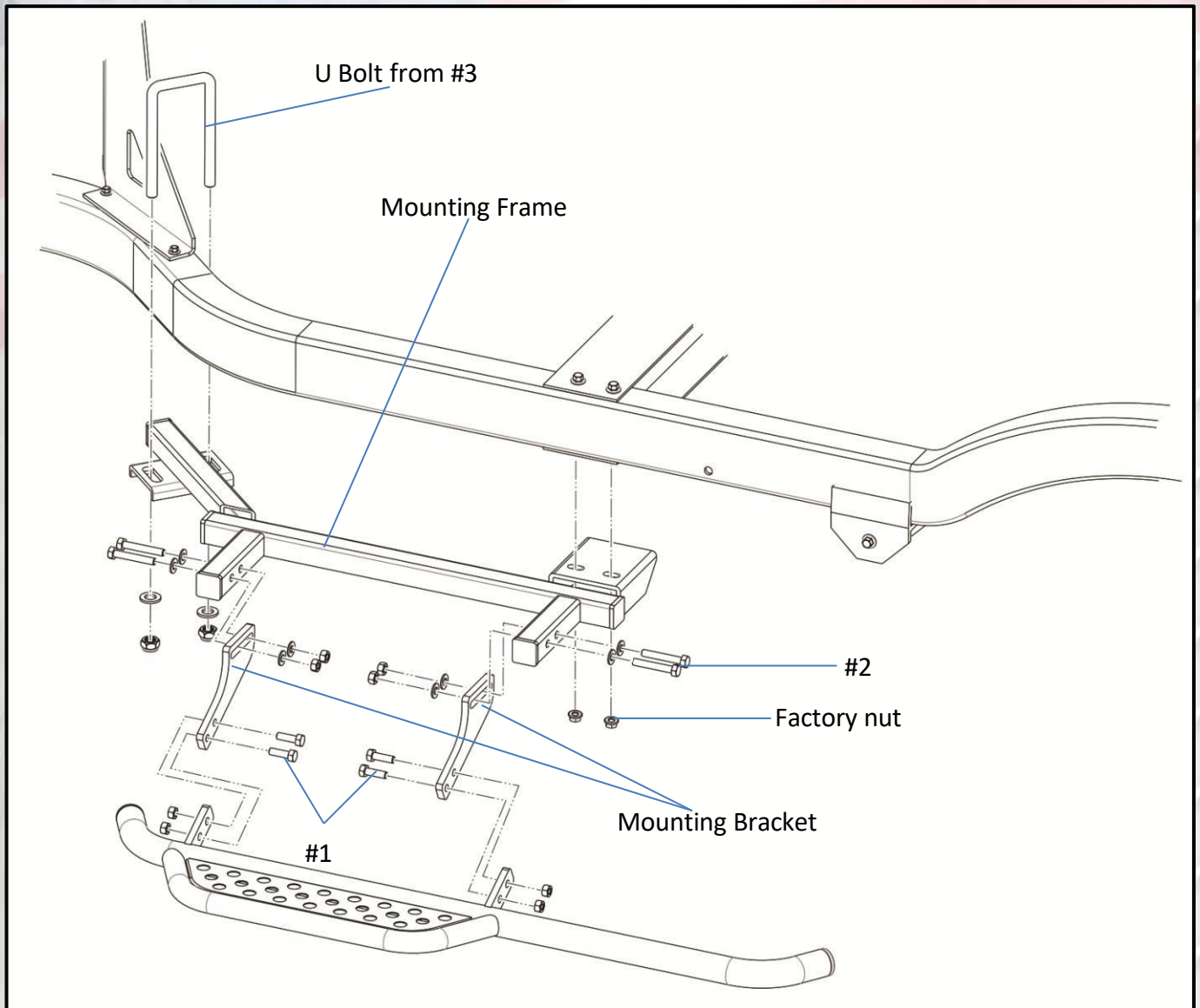
Bag#	Application	Hardware	Qty
1	Nerf Bar to Mounting Bracket	Hex Bolt M8*25	8
		Lock Nut M8	8
2	Mounting Bracket to Mounting Frame	Hex Bolt M8*50	8
		Flat Washer M8	16
		Lock Nut M8	8
3	Mounting Frame to Cart	U Bolt M12*146	2
		Lock Nut M12	4
		Flat Washer M12	4

1. Remove the factory nuts on the side of cart frame and retain. Rust dissolver like WD-40 may make it easy to take off the nuts.



## NERF BAR INSTRUCTIONS

### Club Car Precedent



Don't fasten any bolt during the installation until last step when nerf bar is levelled.

2. Attach mounting frame to cart using factory nut from last step and provided U bolt #3.
3. Install mounting bracket to mounting frame using hardware #2.
4. Install nerf bar to mounting bracket using hardware #1. Level the nerf bar. Fasten all the bolts. Repeat on the other side.